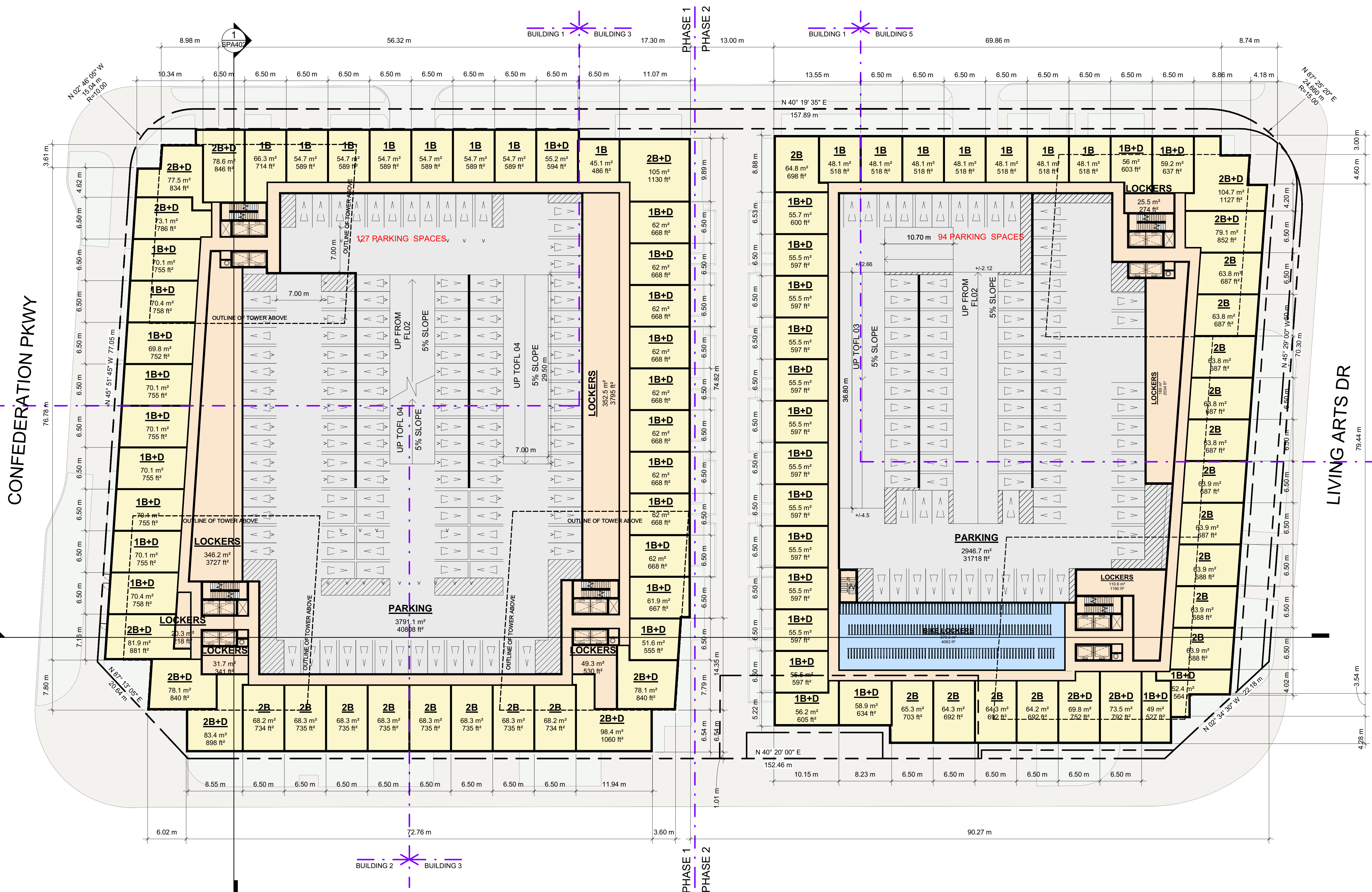


CITY CENTRE DR

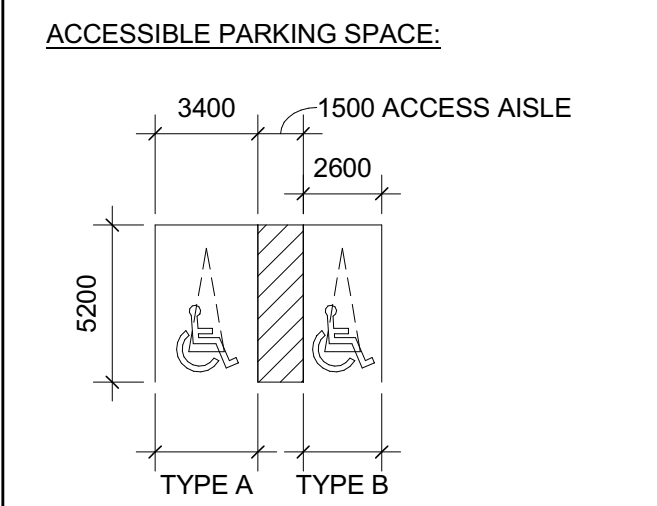
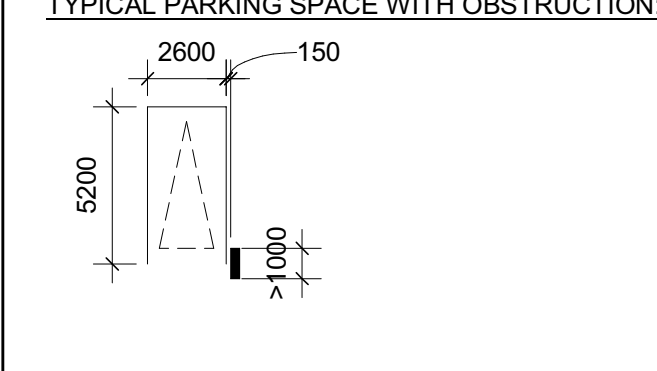


TURNER FLEISCHER

Turner Fleischer Architects Inc.
67 Leaside Road
Toronto, ON, M3B 2T8
T 416 425 2222
turnerfleischer.com

This drawing, as an instrument of service, is provided by and is the property of Turner Fleischer Architects Inc. The contractor must verify and accept responsibility for all dimensions and conditions on site and must notify Turner Fleischer Architects Inc. of any variations from the approved survey, structural, mechanical, electrical, etc. information shown on this drawing. Refer to the appropriate consultant's drawings before proceeding with the work. Construction must conform to all applicable codes and requirements of authorities having jurisdiction. The contractor working from drawings not specifically marked 'For Construction' must assume full responsibility and bear costs for any corrections or damages resulting from this work.

TYPICAL PARKING DIMENSIONS:
EV = ELECTRIC VEHICLE
V = VISITOR



#	DATE	DESCRIPTION	ISSUED FOR	BY
1	2021-11-26	ISSUED FOR OPA	CCU	
2	2022-07-14	RE-ISSUED FOR OPA R2 & ISSUED FOR SPA	CCU	

PROJECT: **325 Burnhamthorpe Rd W**
325 Burnhamthorpe Rd W
Mississauga, ON
LSB 3R2

DRAWING: **FLOOR 03**

PROJECT NO: 20.107CS
PROJECT DATE: FEB 2021
DRAWN BY: WXZ
CHECKED BY: CCU
SCALE: As indicated



DRAWING NO: **SPA153** REV: **2**