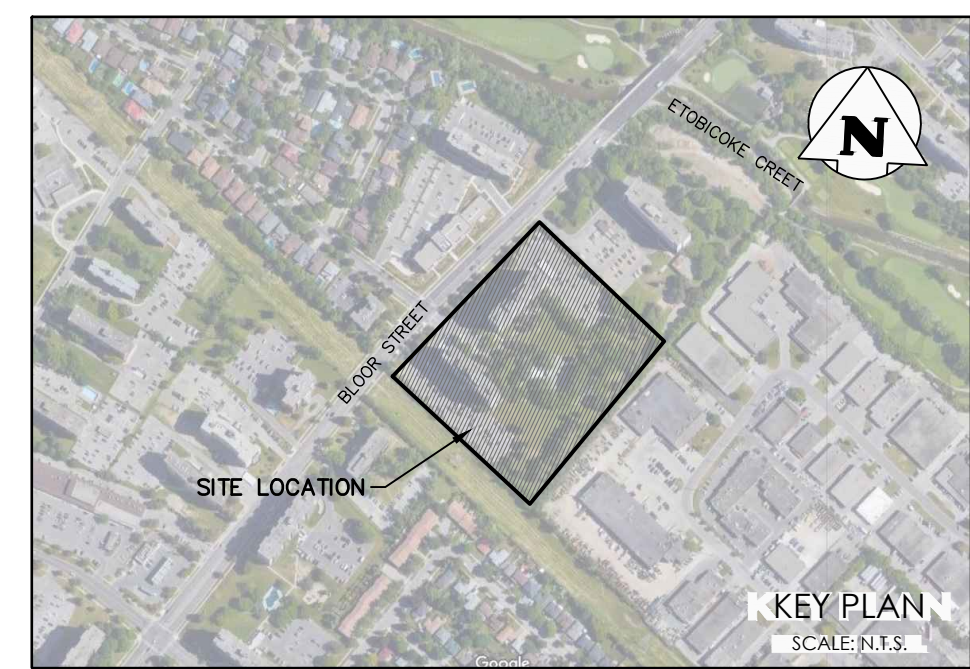
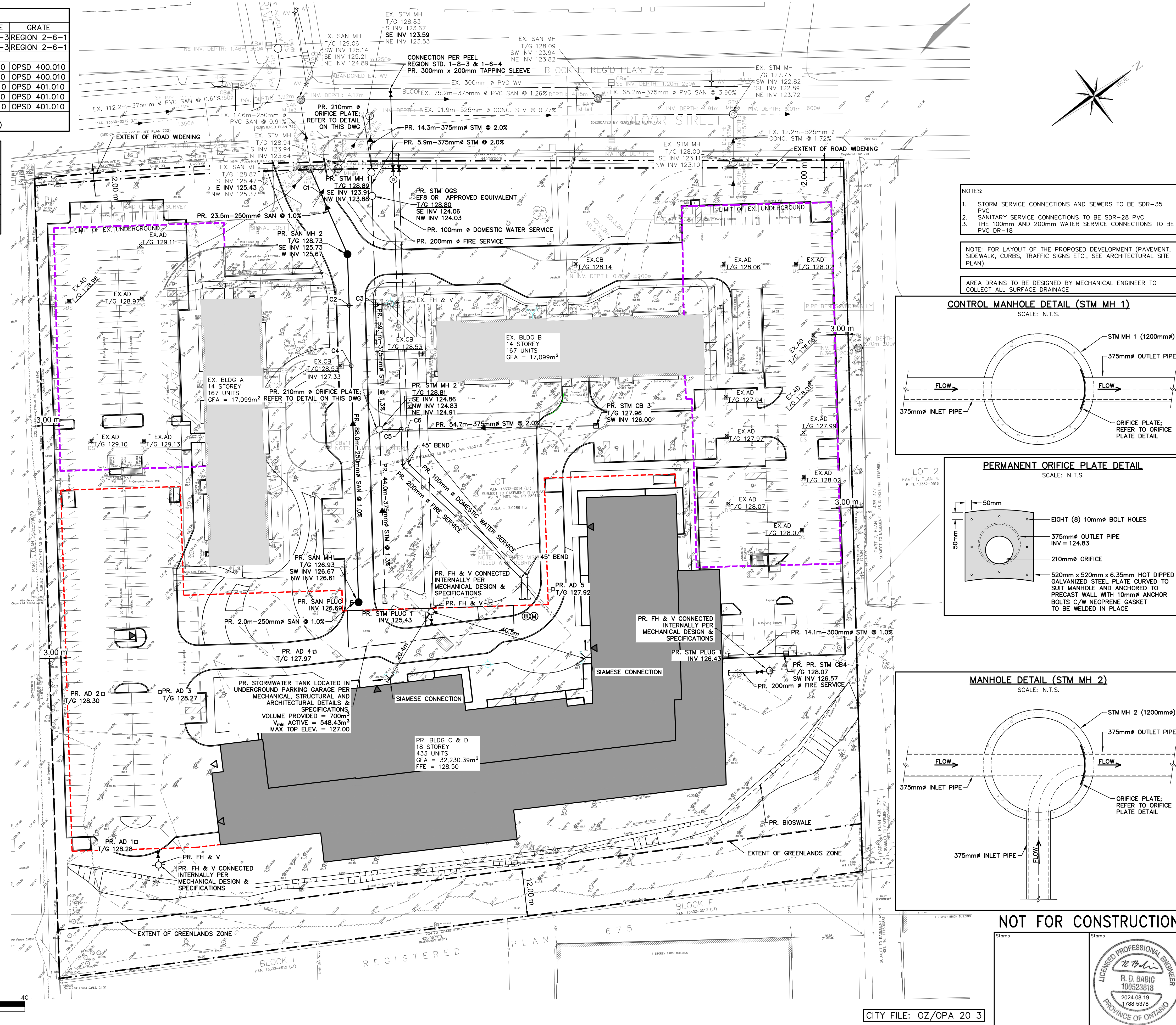


SERVICE STRUCTURES				
ID	TYPE	SIZE (mm)	STRUCTURE	GRATE
1	SAN MH	1200 Ø	REGION 2-5-3	REGION 2-6-1
2	SAN MH	1200 Ø	REGION 2-5-3	REGION 2-6-1
1	STM MH	1200 Ø	OPSD 701.010	OPSD 400.010
2	STM MH	1200 Ø	OPSD 701.010	OPSD 400.010
3	STM CB	600 x 600	OPSD 705.010	OPSD 401.010
4	STM CBMH	1200 Ø	OPSD 701.010	OPSD 401.010
5	STM CB	600 x 600	OPSD 705.010	OPSD 401.010
	STM OGS		STORMCEPTOR EFB (OR APPROVED EQUIVALENT)	

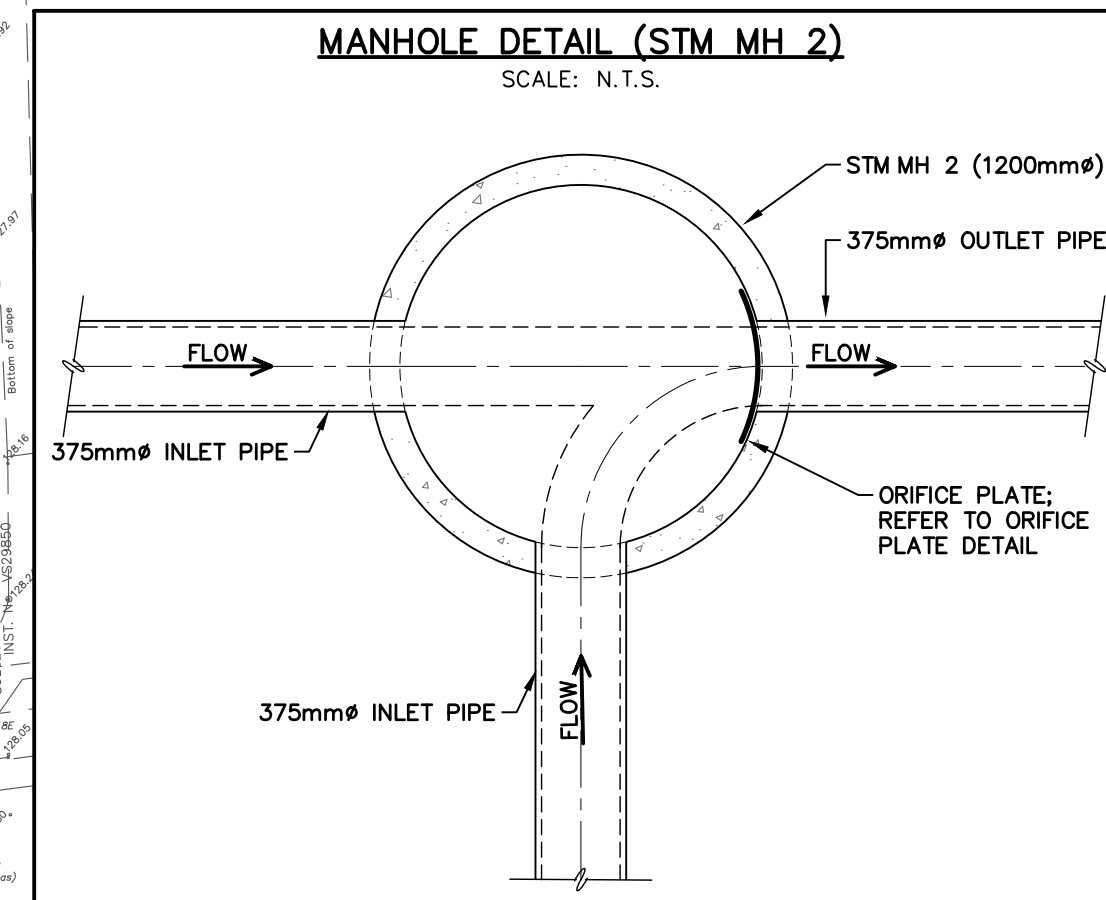
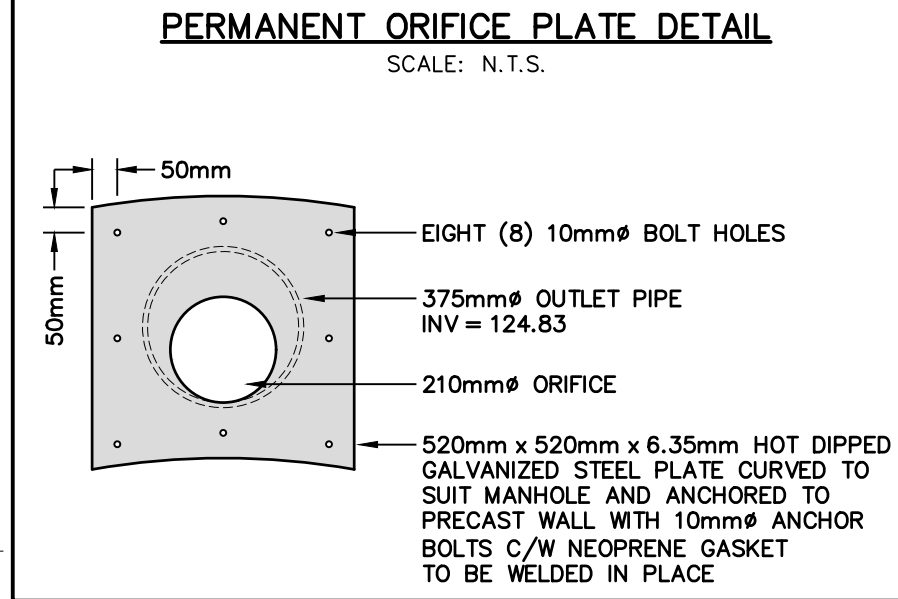
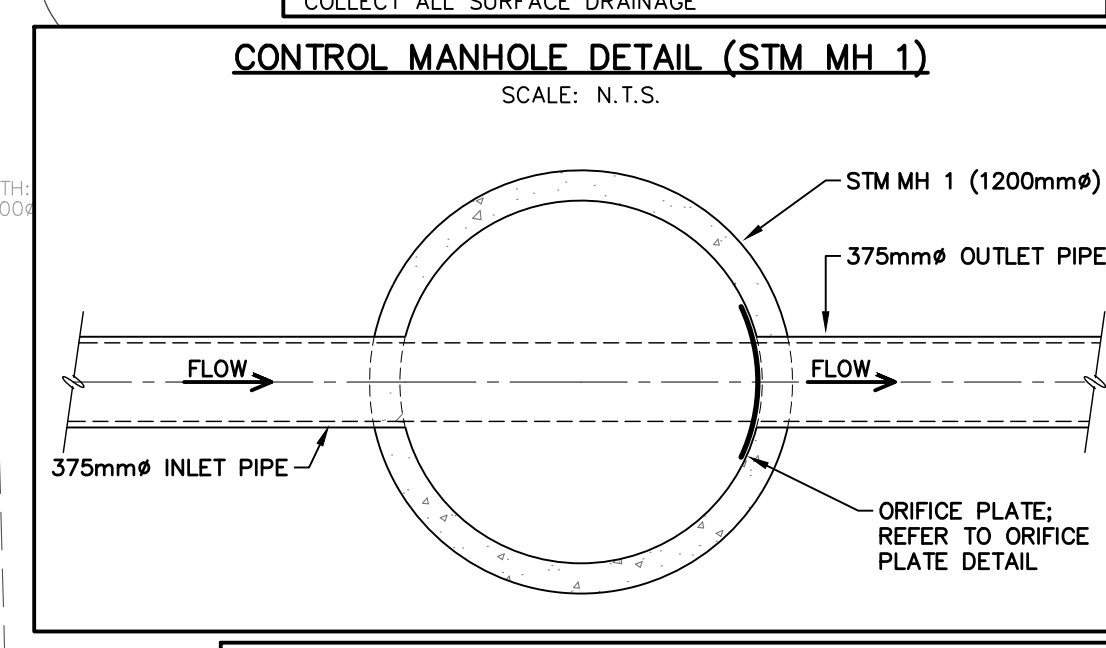
CROSSINGS					
ID	UPPER TYPE	UPPER EL.(m)	LOWER TYPE	LOWER EL.(m)	SEP.(m)
C1	SAN INV	125.50	STM OBV	124.32	1.18
C2	WM INV	126.97	SAN OBV	126.16	0.81
C3	WM INV	126.97	STM OBV	124.99	1.98
C4	STM INV	127.33	SAN OBV	126.31	1.02
C5	WM INV	126.83	STM OBV	125.40	1.43
C6	WM INV	126.88	STM OBV	125.43	1.45



- NOTES:
- STORM SERVICE CONNECTIONS AND SEWERS TO BE SDR-35 PVC
 - SANITARY SERVICE CONNECTIONS TO BE SDR-28 PVC. THE 100mm AND 200mm WATER SERVICE CONNECTIONS TO BE PVC DR-18
- NOTE: FOR LAYOUT OF THE PROPOSED DEVELOPMENT (PAVEMENT, SIDEWALK, CURBS, TRAFFIC SIGNS ETC., SEE ARCHITECTURAL SITE PLAN).
- AREA DRAINS TO BE DESIGNED BY MECHANICAL ENGINEER TO COLLECT ALL SURFACE DRAINAGE

LEGEND

- PROPERTY LINE
- EXISTING WATERMAIN & GATE VALVE
- EXISTING STORM SEWER & MANHOLE
- EXISTING SINGLE / DOUBLE CATCHBASIN
- EXISTING SANITARY SEWER & MANHOLE
- EXISTING FIRE HYDRANT
- PROPOSED WATERMAIN & GATE VALVE
- PROPOSED FIRE HYDRANT & GATE VALVE
- PROPOSED SIAMESE CONNECTION
- PROPOSED WATER METER
- PROPOSED DETECTOR CHECK VALVE IN CHAMBER
- PROPOSED BACKFLOW PREVENTER
- PROPOSED STORM SEWER & MANHOLE
- PROPOSED SINGLE / DOUBLE CATCHBASIN
- PROPOSED SANITARY SEWER & MANHOLE
- PROPOSED UNDERGROUND PARKING
- PROPOSED CROSSING; REFER TO CROSSINGS TABLE ON C102



No.	ISSUE / REVISION	DATE
3	ISSUED FOR 3RD SUBMISSION OPA/ZBA	2024/AUG/19
2	ISSUED FOR 2ND SUBMISSION OPA/ZBA	2022/NOV/16
1	ISSUED FOR 1ST SUBMISSION OPA/ZBA	2020/FEB/19

ELEVATION NOTE:
ELEVATIONS SHOWN ON THIS PLAN ARE GEODETIC AND ARE DERIVED FROM THE CITY OF MISSISSAUGA BENCHMARK No. 985, HAVING A PUBLISHED ELEVATION OF 129.292m

LOCAL BENCHMARK:
TABLET IS SET HORIZONTALLY AT THE BASE OF A CONCRETE TRAFFIC POLE AT THE NORTH-WEST CORNER OF BLOOR STREET AND BRIDGEWOOD DRIVE.

SURVEY NOTES:
SURVEY COMPLETED BY SPEIGHT, VAN NOSTRAND & GIBSON LIMITED, (2019/MAY/22) REFERENCE No.: 190-0075.

GREENLAND ZONE ADDED DECEMBER 21, 2020. GREENLAND ZONE LOCATION TAKEN FROM ONLINE CITY OF MISSISSAUGA ZONING BY-LAW MAPPING.

PROPOSED WIDENING AND ADDITIONAL TOPOGRAPHIC INFORMATION ADDED ON ADJACENT PROPERTIES JANUARY 2021.

BEARINGS SHOWN HEREON ARE ASTROMONIC AND ARE REFERRED TO THE WESTERLY LIMIT OF LOT 1, REGISTERED PLAN 775, HAVING A BEARING OF N46°03'40"W

SITE PLAN NOTES:
DESIGN ELEMENTS ARE BASED ON SITE SITE PLAN BY IBI GROUP, DRAWING No.: A003, RE-ISSUED FOR OPA & ZBA, DATED 2022/11/16, PROJECT No.: 120303

DRAWING NOTES:
THIS DRAWING IS THE EXCLUSIVE PROPERTY OF C.F. CROZIER & ASSOCIATES INC. AND THE REPRODUCTION OF ANY PART OF IT WITHOUT PRIOR WRITTEN CONSENT OF THIS OFFICE IS STRICTLY PROHIBITED.

THE CONTRACTOR SHALL VERIFY ALL DIMENSIONS, LEVELS, AND DATUMS ON SITE AND REPORT ANY DISCREPANCIES OR OMISSIONS TO THIS OFFICE PRIOR TO CONSTRUCTION. THIS DRAWING IS TO BE READ AND UNDERSTOOD IN CONJUNCTION WITH ALL OTHER PLANS AND DOCUMENTS APPLICABLE TO THIS PROJECT. DO NOT SCALE THIS DRAWING.

ALL EXISTING UNDERGROUND UTILITIES TO BE VERIFIED IN THE FIELD BY THE CONTRACTOR PRIOR TO CONSTRUCTION.

MISSISSAUGA

Project: 1840 & 1850 BLOOR ST.

Drawing: CITY OF MISSISSAUGA

SITE SERVICING PLAN

NOT FOR CONSTRUCTION

Stamp: R. D. BABIC, LICENSED PROFESSIONAL ENGINEER, 100523818, 1788-5378, PROVINCE OF ONTARIO

CROZIER CONSULTING ENGINEERS

2800 HIGH POINT DRIVE, SUITE 100, MILTON, ON L9T 6P4, 905-875-0026 T, 905-875-4915 F, WWW.CFCROZIER.CA

Drawn: J.B., Design: J.B., Project No.: 1788-5378, Check: J.B., Scale: 1:500, Dwg: C102

CITY FILE: OZ/OPA 20 3

