

GENERAL NOTES

**CRW 2 L.P., CRW 2 G.P. INC. (c/o Slate Asset Management)**

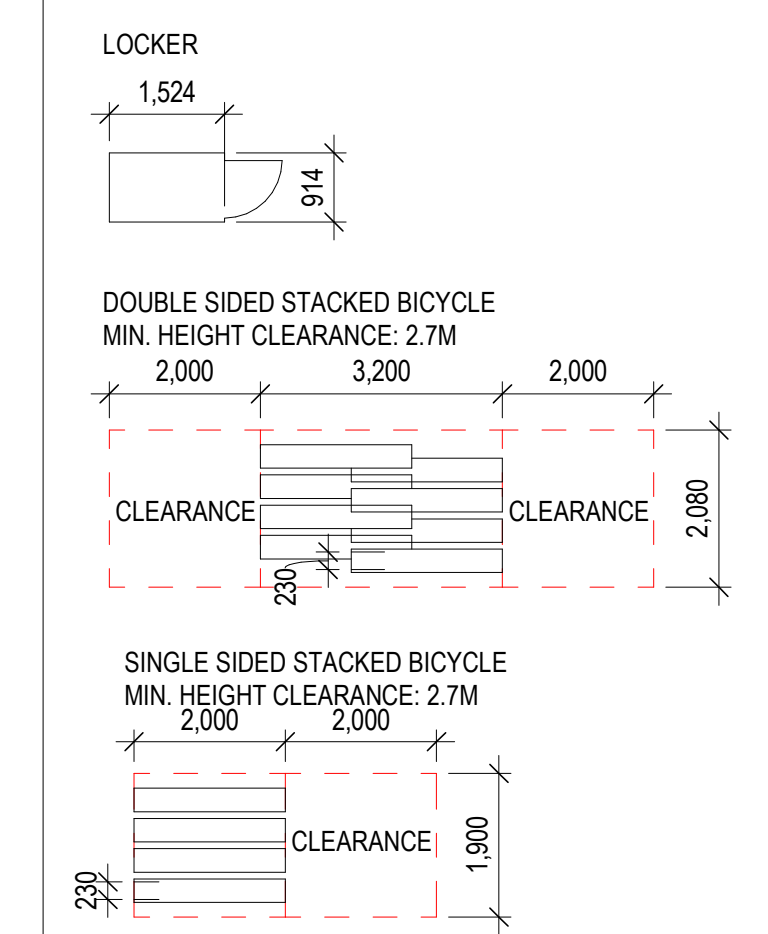
2077 & 2105 Royal Windsor drive  
Mississauga ON L5J 1K5

**Gensler**

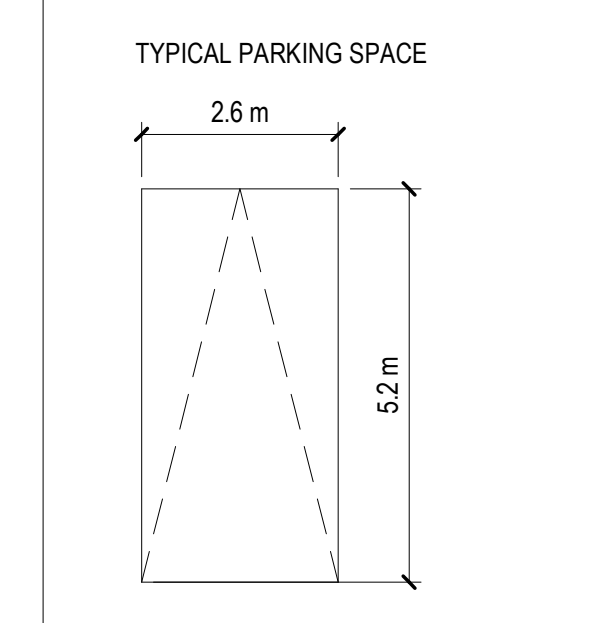
150 King Street West  
Suite 1400  
Toronto, Ontario M5H 1J9  
Canada  
Tel 416.601.3890

LEGEND

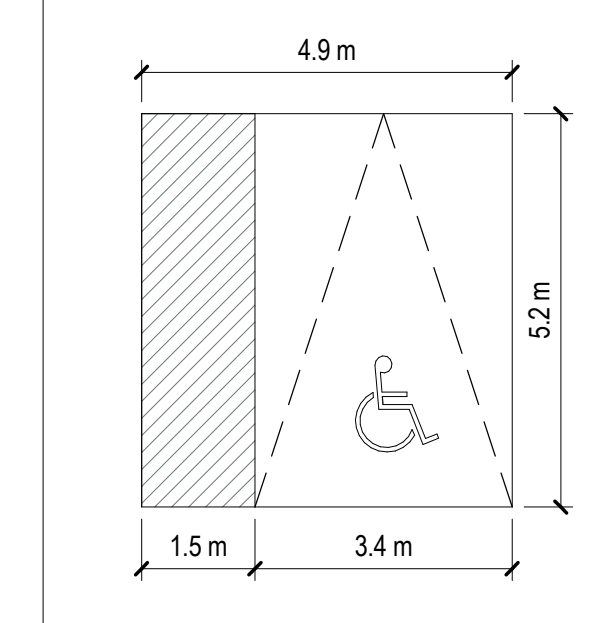
LOCKERS AND BICYCLE PARKING SPACE DIMENSIONS



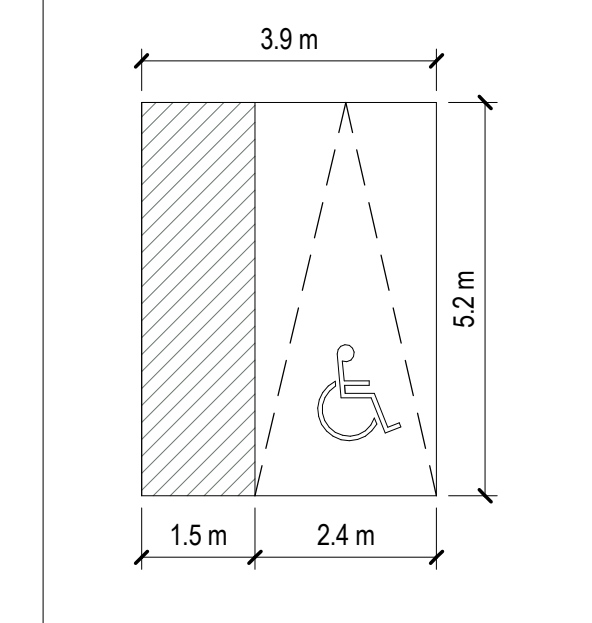
TYPICAL CAR PARKING DIMENSIONS



BARRIER FREE: TYPE A



BARRIER FREE: TYPE B



Date	Description
1 2024-09-25	OPA2BA SUBMISSION

Seal / Signature



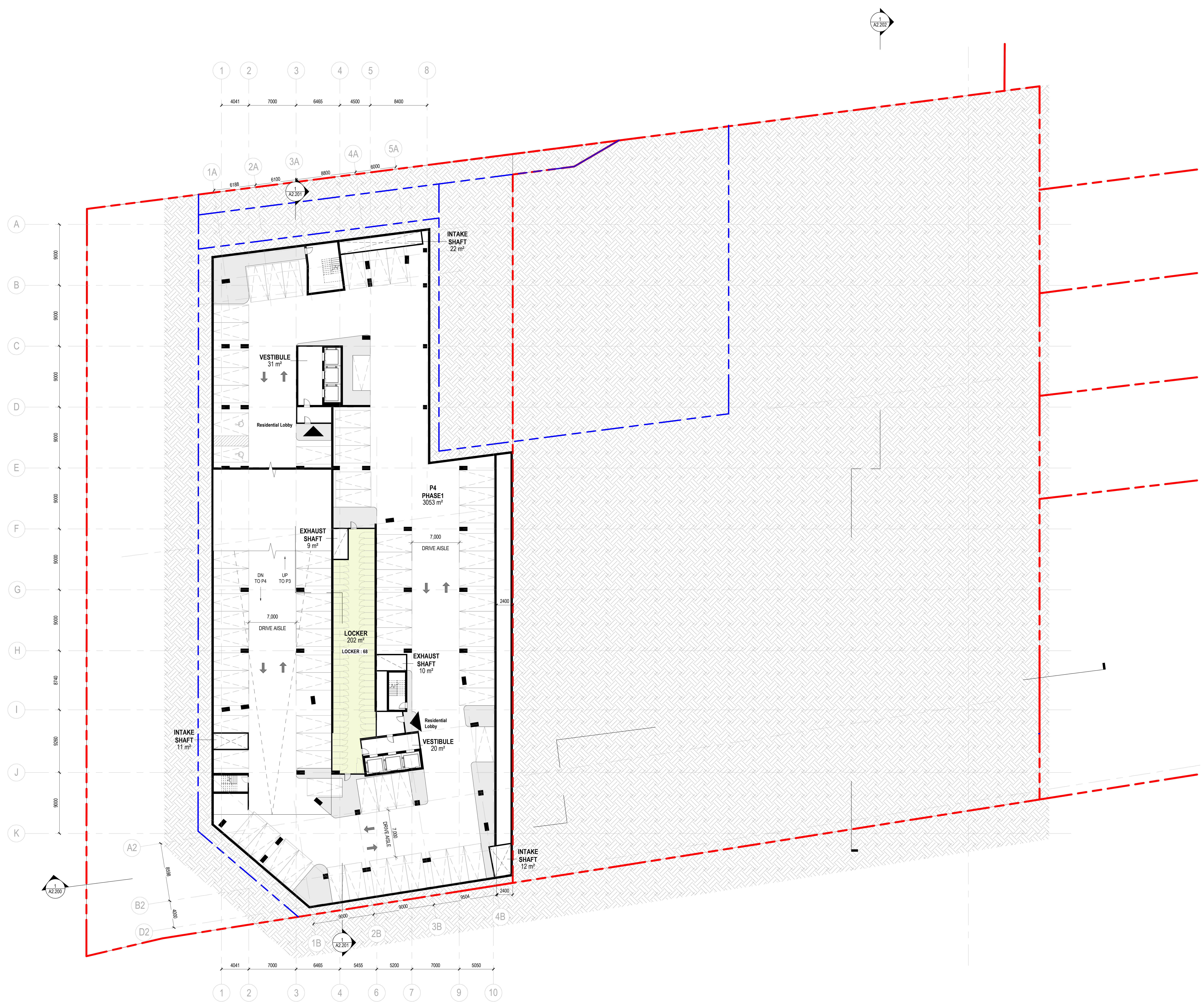
Project Name  
**CLARKSON GO**

Project Number  
**67.1245.000**

Description  
**LOWER LEVEL - P4 TYPICAL PLAN**

Scale  
As indicated

**A1.196**



2024-09-25 12:54 PM A:\Arch\Draw\67.1245.000 - Clarkson GO - E23\Architects - E1 1245.000 - Clarkson GO - E23.rvt