

Equiparc



EP 1793 Bistro chair

SPECIFICATIONS
 Frame: 3mm (1/8"), 5mm (3/16"), 6mm (1/4"), 10mm (3/8") steel laser cuts
 Finish: Zinc rich primer and polyester powder coated

Length : 582mm (23") Depth : 455mm (18") Height : 853mm (33 1/2") Weight : 20 kg (45 lbs)

OPTIONS
 WA Without anchoring plates (For restricted areas only)

This chair must be anchored.
 Our warranty applies when our product is properly installed and anchored.

CONCRETE SLABS AND ANCHORS
 7005 1 slab 610mm X 610mm X 152mm (24" X 24" X 6")
 QS 4 stainless steel kwik bolts
 QAV 4 drop-in anchors with stainless steel theftproof bolts

Equiparc



EP 2793 Bistro table

SPECIFICATIONS
 Frame : 6mm (1/4") aluminum laser cuts and Ø60mm (2 3/8") aluminum tube
 Finish: Polyester powder coat

OPTIONS
 S Self-standing version
 Dia: 914mm (36") Height: 762mm (30") Weight: 14 kg (30 lbs)

This table must be anchored.
 Our warranty applies when our product is properly installed and anchored.

CONCRETE SLABS AND ANCHORS
 7003 1 slab 914mm X 914mm X 152mm (36" X 36" X 6")
 QS 4 stainless steel kwik bolts
 QAV 4 drop-in anchors with stainless steel theftproof bolts

Equiparc



EP 2630 Picnic table

SPECIFICATIONS
 Frame: Flats and plates made of welded steel
 Straps: Steel flats and steel angles
 Braces: Steel tube
 Finish: Zinc rich primer and polyester powder coated
 Planks: 25mm X 152mm (1" X 6") with steel reinforcements
 Fasteners: Stainless steel

COVERING
 JAT Jatoba
 IPE Ipe
 HWA Select hardwood

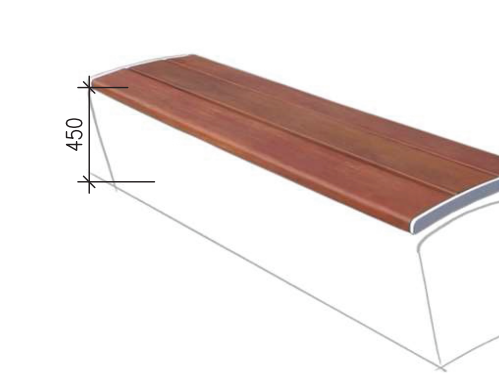
OPTIONS
 HAND Table top extended to 95 1/2" for wheelchair access
 PARASOL Modified for parasol

Depth: 1481mm (58 1/4") Length: 1803mm (71") Height: 762mm (30") Weight: 125 kg (275 lbs)

This table must be anchored.
 Our warranty applies when our product is properly assembled and anchored.

CONCRETE SLABS AND ANCHORS
 7007 2 slabs 305mm X 1448mm X 152mm (12" X 57" X 6")
 QS 4 stainless steel kwik bolts
 QAV 4 drop-in anchors with stainless steel theftproof bolts

Equiparc



EP 1901 Bench without backrest

SPECIFICATIONS
 Frame: 8mm (5/16") and 10mm (3/8") steel flats
 Supports: 6mm (1/4") steel flats and 3mm (1/8") steel plates to be anchored on a concrete or granite base. *Base not included
 Finish: Hot-dipped galvanized and polyester powder coated
 Slats: IPE/JAT 38mm X 138mm (1 1/2" X 5 7/16")
 Fasteners: 6mm (1/4") and 10mm (3/8") theftproof stainless steel bolts

COVERING
 JAT Jatoba
 IPE Ipe

Depth: 432mm (17") Length: 1499mm (59") Height: 94mm (3 3/4") Weight: 50 kg (110 lb)

*Concrete or granite base not included
 This bench must be anchored.
 Our warranty applies when our product is properly installed and anchored.

Confidential information contained herein is the property of Equiparc. Intended use is limited to professionals specifying Equiparc's products and their direct clients. All information is not to be copied or disclosed to others without the written consent of Equiparc. All rights reserved. Equiparc, Manufacturer d'Équipement de Parcs
 1001 James Brodie Street, Saint-Jean-sur-Richelieu, Québec J2X 0C1 Canada
 Tel.: 450-340-1882 1-800-360-9264
 info@equiparc.com | equiparc.com

1 BISTRO CHAIR & TABLE
 N.T.S.

2 PICNIC TABLE
 N.T.S.

3 BENCH ON CONCRETE SEATWALL - EQUIPARC
 N.T.S.

Equiparc



EP 5990 Bike rack

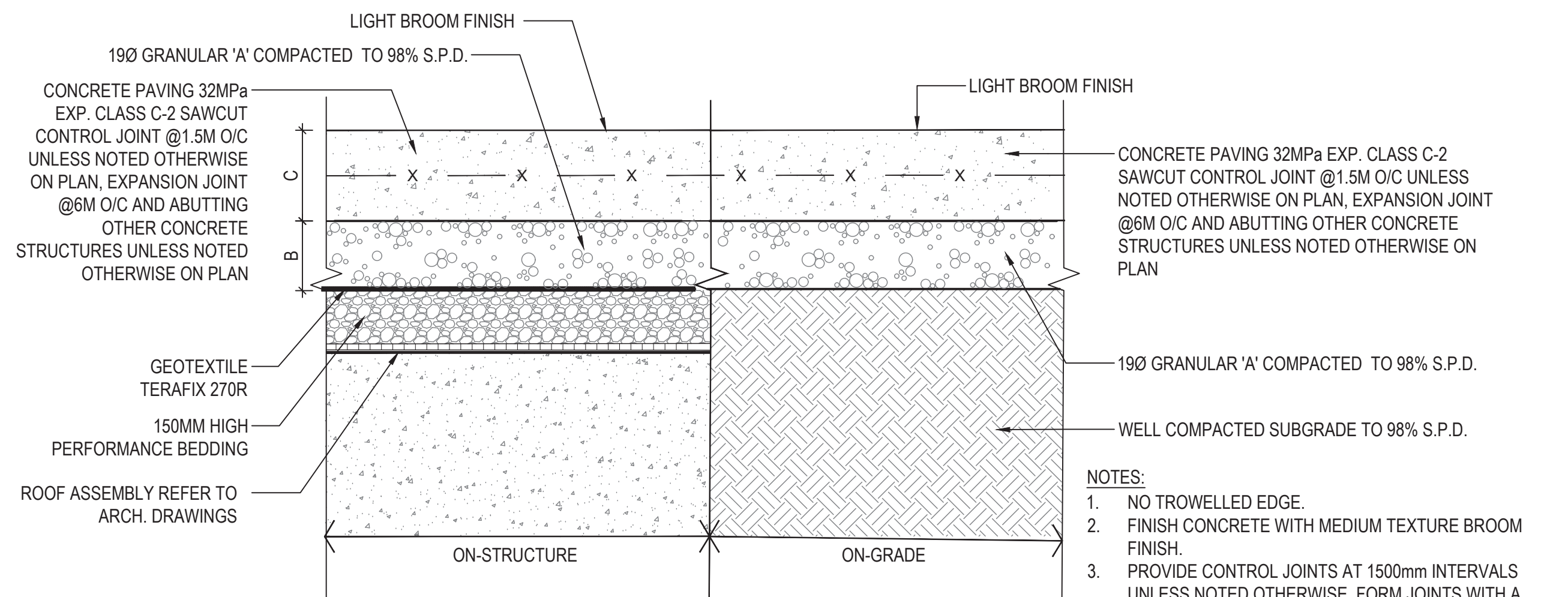
SPECIFICATIONS
 Frame: Aluminum components
 Finish: Polyester powder coated
 Foot support (UG): Hot-dipped galvanized steel flat

AVAILABLE
 5990-AG Surface mount
 5990-UG Inground mount

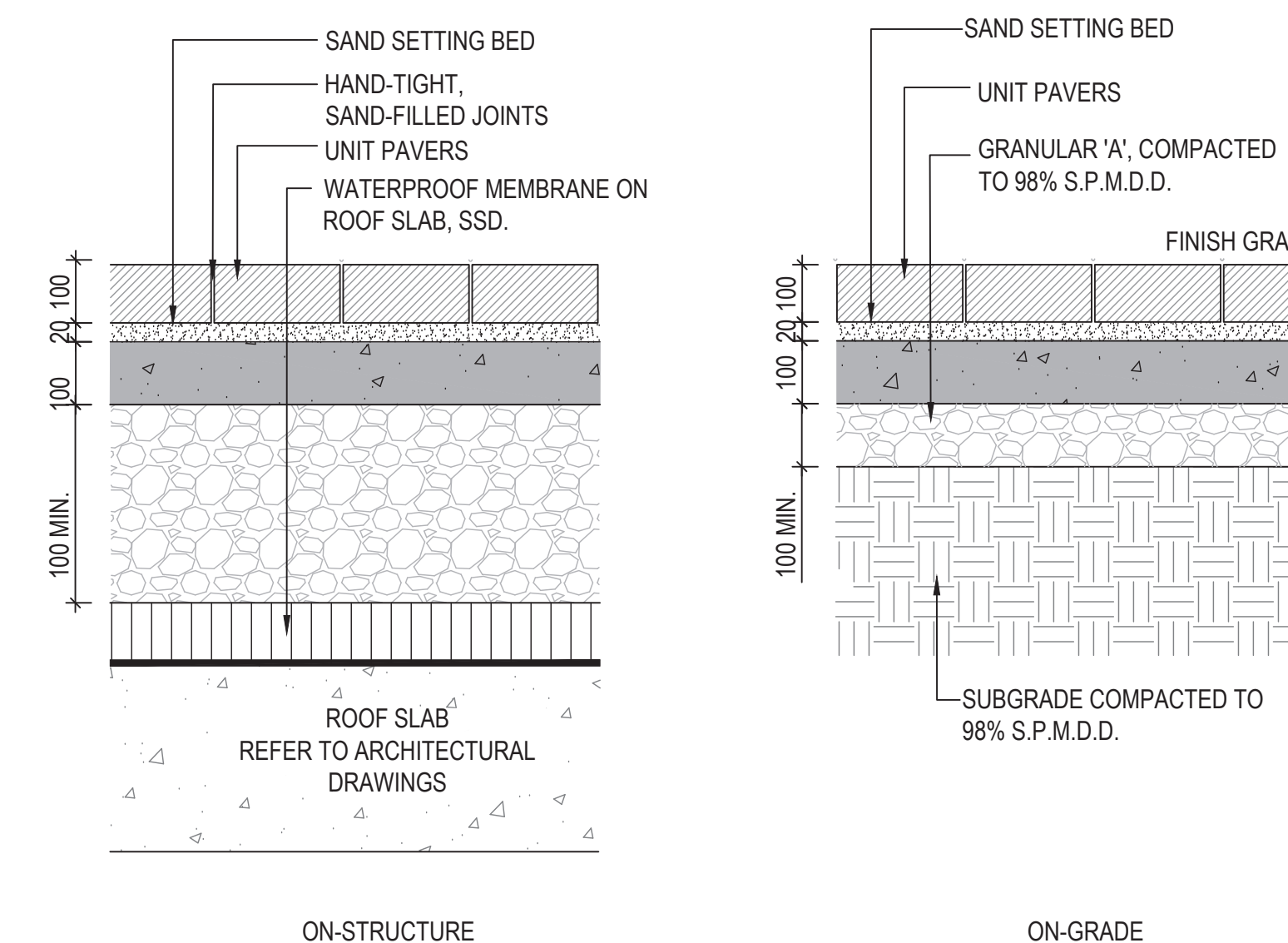
Depth : 300mm (11 3/4") Length : 200mm (7 7/8") Height : 825mm (32 1/2") Weight : 20 kg (45 lb)

This bike rack must be anchored.
 Our warranty applies when our product is properly assembled and anchored.

CONCRETE SLABS AND ANCHORS
 7005 1 slab 610mm X 610mm X 152mm (24" X 24" X 6")
 7016 1 slab Ø 610mm X 203mm (24" X 8")
 QS 4 stainless steel kwik bolts
 QAV 4 drop-in anchors with stainless steel theftproof bolts



NOTE:
 C = 150mm min. (PEDESTRIAN) = 180mm min. (VEHICULAR)
 B = 150mm min. (PEDESTRIAN) = 150mm min. (VEHICULAR)



6 CONCRETE UNIT PAVING
 1:10

4 BIKE RACK - EQUIPARC EP 5990
 N.T.S.

5 CONCRETE PAVING
 1:10

CONTRACTOR SHALL CHECK ALL DIMENSIONS ON THE WORK AND REPORT ANY DISCREPANCY TO THE LANDSCAPE ARCHITECT BEFORE PROCEEDING. ALL DRAWINGS AND SPECIFICATIONS ARE THE PROPERTY OF THE LANDSCAPE ARCHITECT AND MUST BE RETURNED AT THE COMPLETION OF THE WORK. THIS DRAWING IS NOT TO BE USED FOR CONSTRUCTION UNTIL SIGNED BY THE LANDSCAPE ARCHITECT.

KEY MAP

LEGEND

No.	Description	Date
3	Issued for ZBA 3rd Submission	Sept.06/24
2	Issued for ZBA 2nd Submission	Aug.04/23
1	Issued for ZBA	Jul.07/21

CITY APPROVAL STAMP



NAK
 design strategies

421 RONCESVALLES AVENUE, TORONTO, ON M4R 2N1 CANADA
 T 416.340.8700 F 416.340.7100 NAKDESIGNSTRATEGIES.COM

PROJECT
 3085 Hurontario Street
 Mississauga, Ontario

OWNER
 Equity Three Holdings Inc.

TITLE
 LANDSCAPE
 DETAILS

DATE: AUG.30/24
 SCALE: AS SHOWN
 DRAWN: JL
 CHECKED: TL
 JOB NO.: 24-073

L501