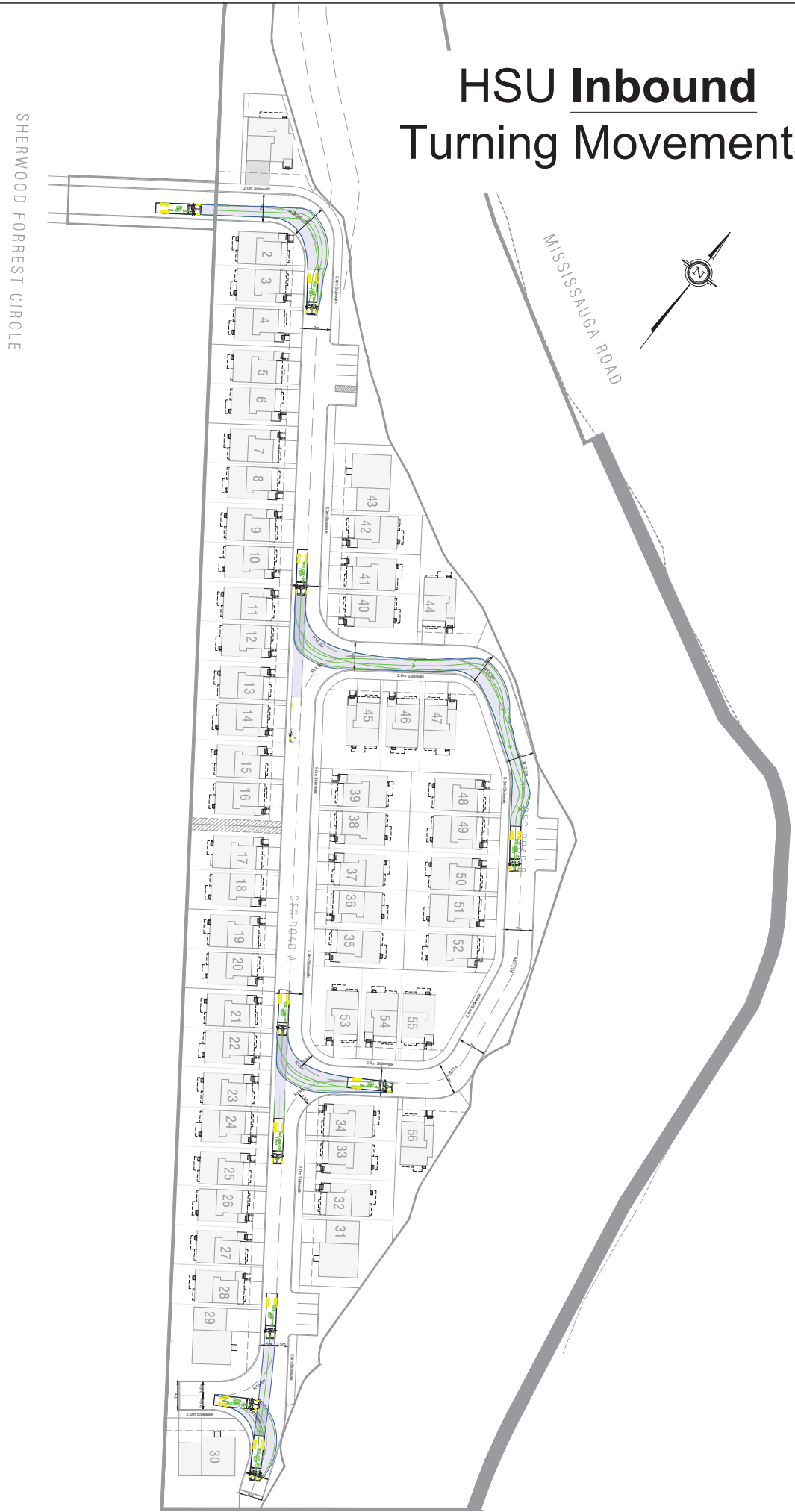
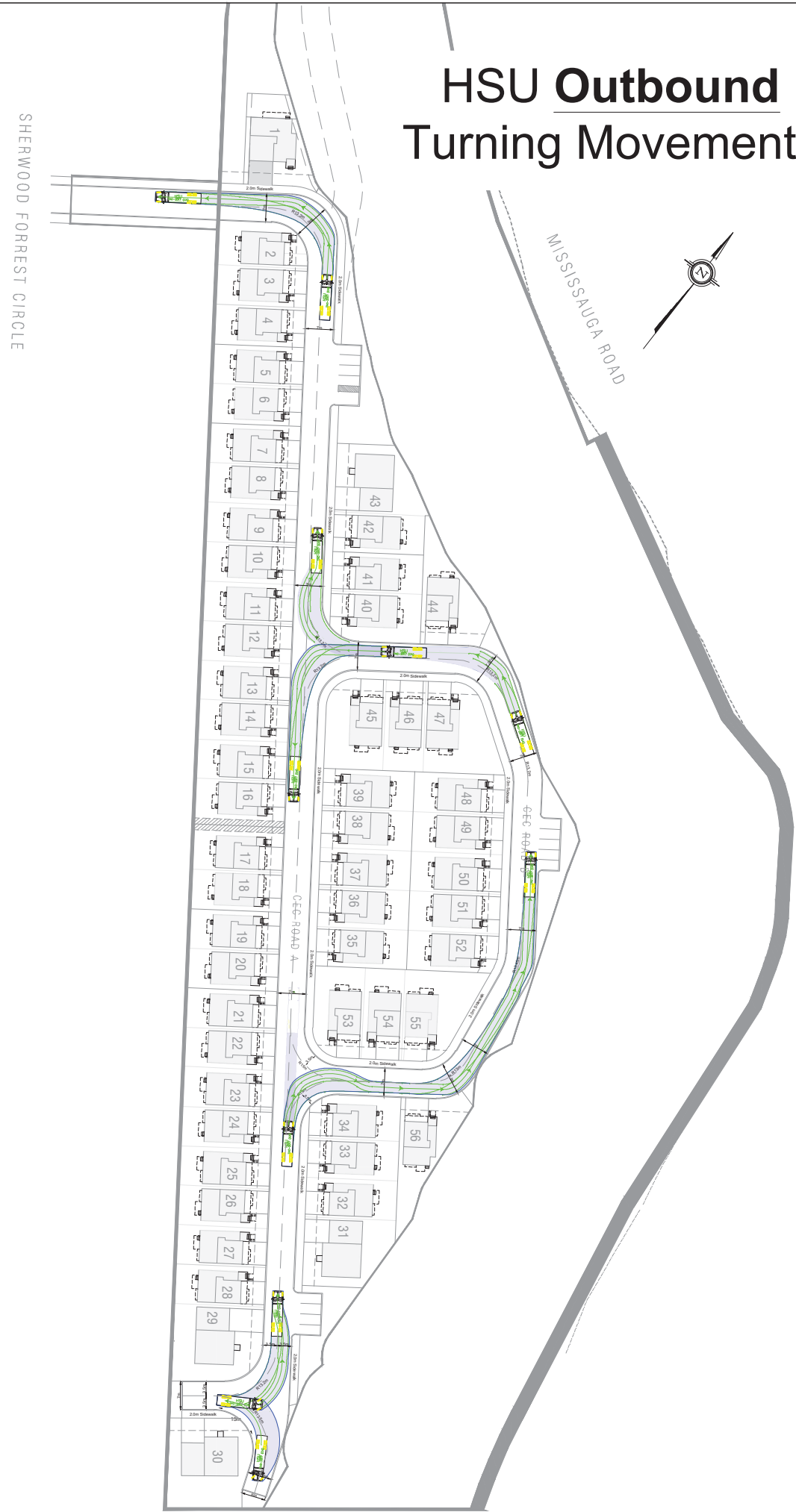


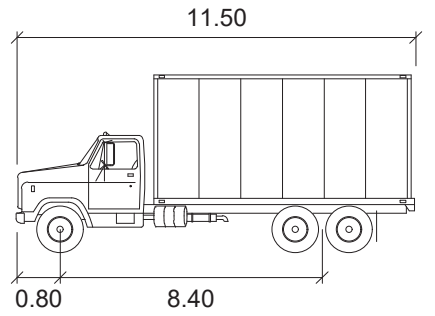
HSU Inbound Turning Movements



HSU Outbound Turning Movements



Notes:



HSU

	meters
Width	: 2.60
Track	: 2.60
Lock to Lock Time	: 6.0
Steering Angle	: 40.0

05	Issued for Review	AN	2024-05-03
REV:	DESCRIPTION:	BY:	DATE:
STATUS:			

CGH Transportation
 628 Haines Road
 Newmarket, ON
 L3Y 6V5
 (905) 251-4070

CLIENT: Sherwood Forest Limited Partnership

ARCHITECT:

SITE: 1720 Sherwood Forrest Circle
Mississauga

TITLE: Turning Movement Analysis
Garbage Turning Movements

SCALE AT A3: NTS	DATE: 2024-05-03	DRAWN: AN	CHECKED: MC
PROJECT NO: 2023-078	DRAWING NO: 002	REVISION: 05	